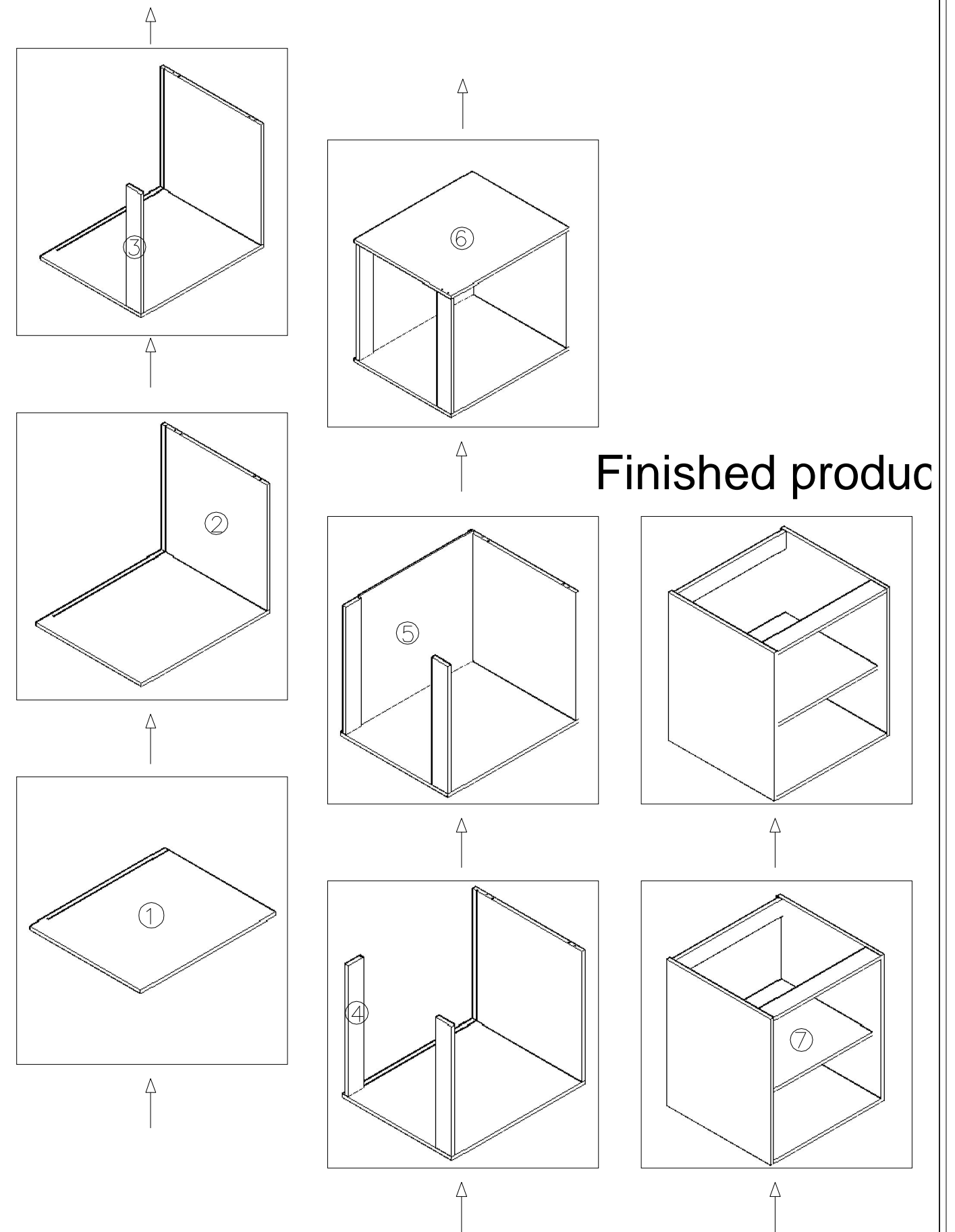
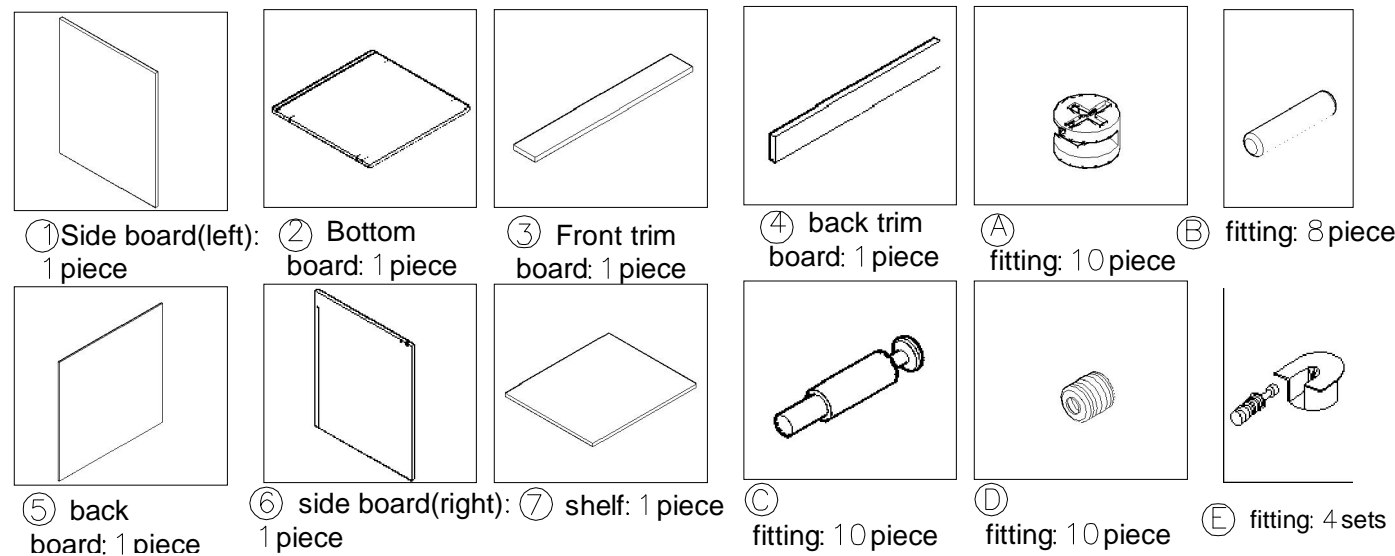
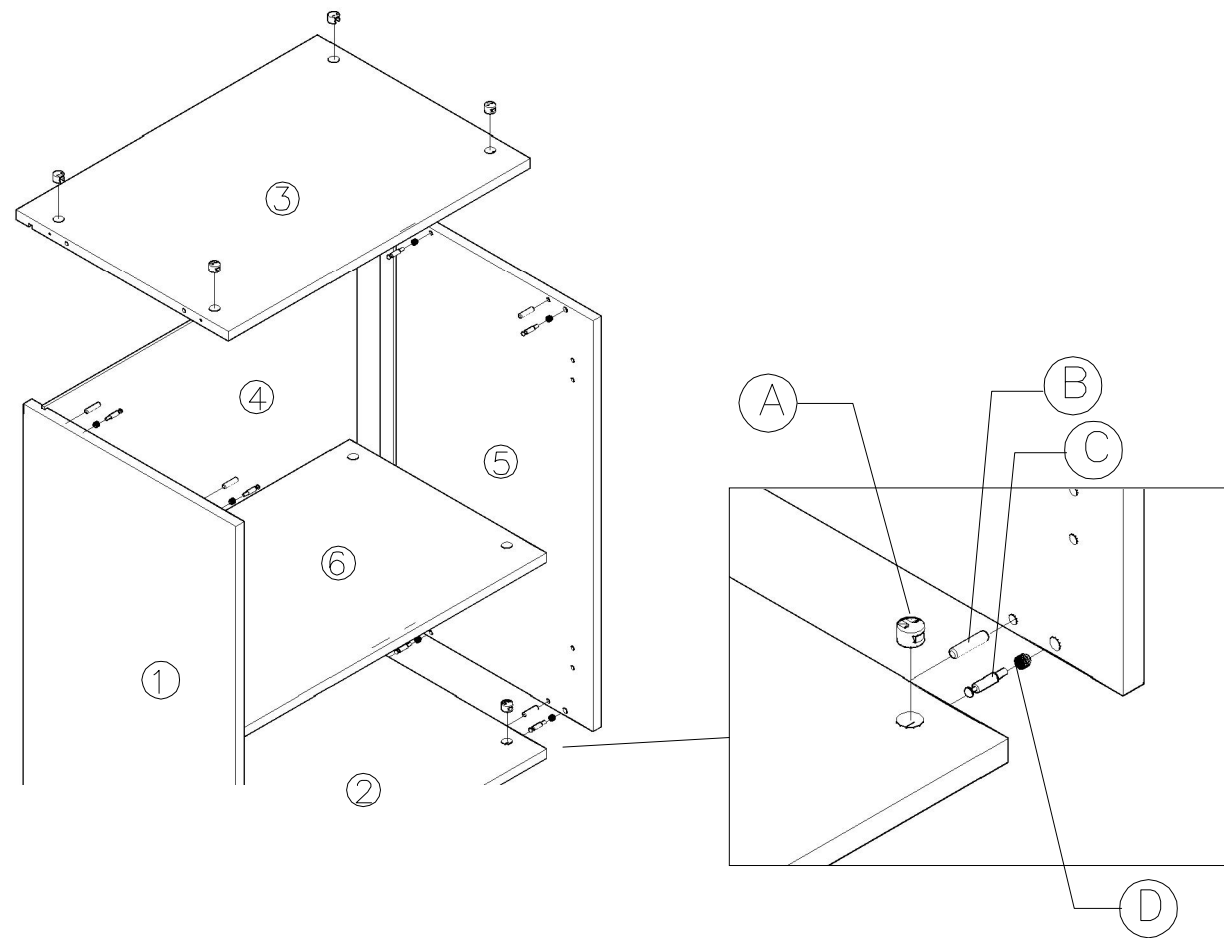


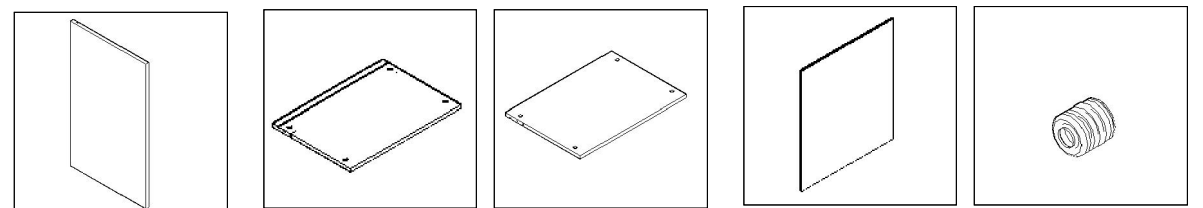
BASE CABINET INSTALLATION



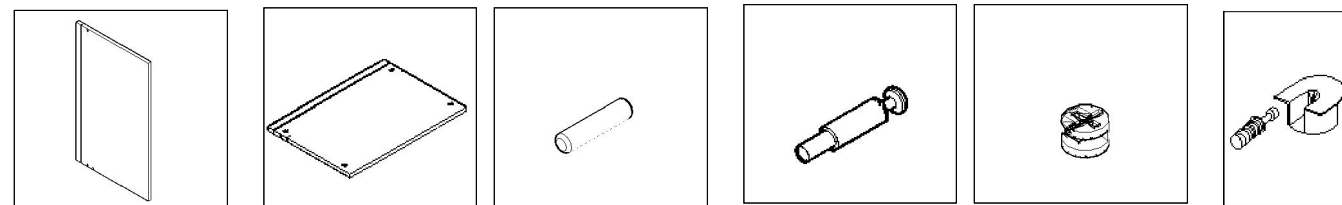
INSTALLATION STEP



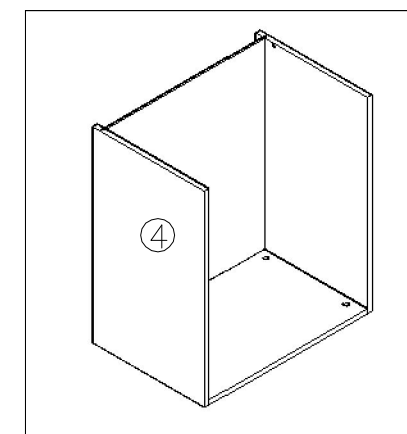
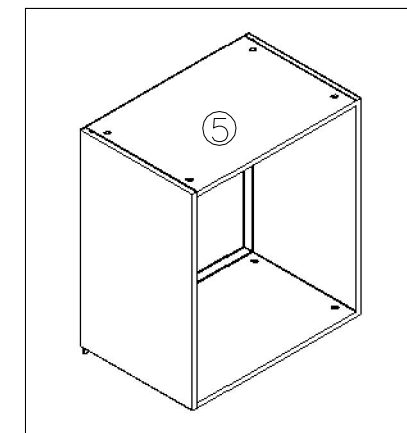
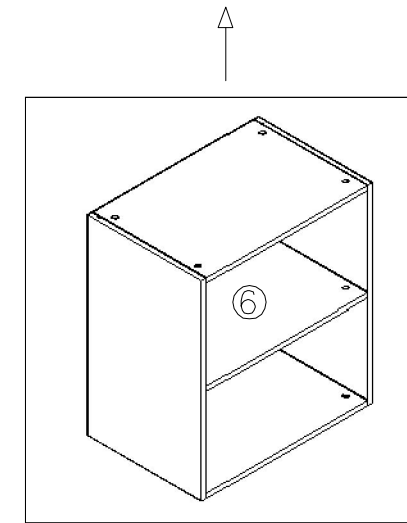
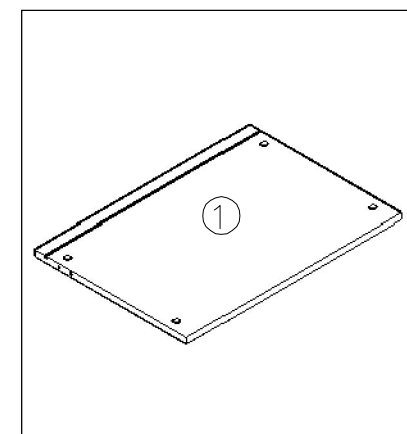
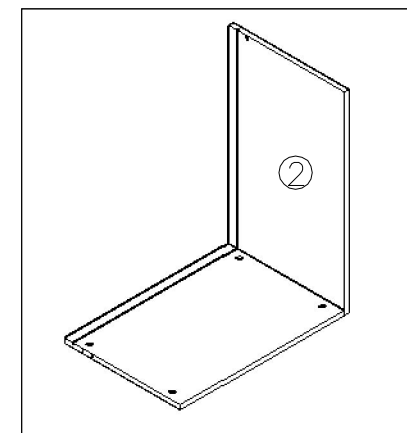
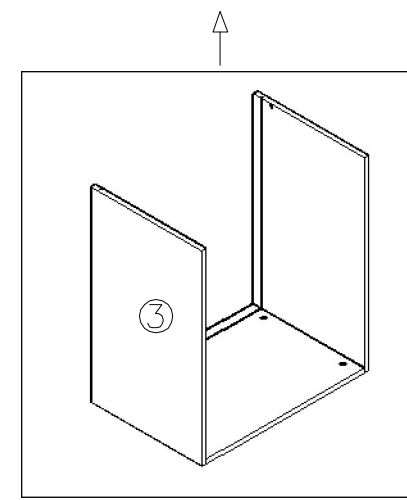
WALL CABINET INSTALLATION



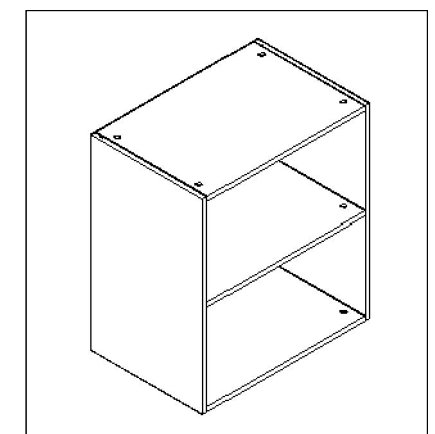
① Side board(left): 1 piece ② Bottom board: 1 piece ③ Top board: 1 piece ④ Back board: 1 piece ⑤ fitting: 8 piece



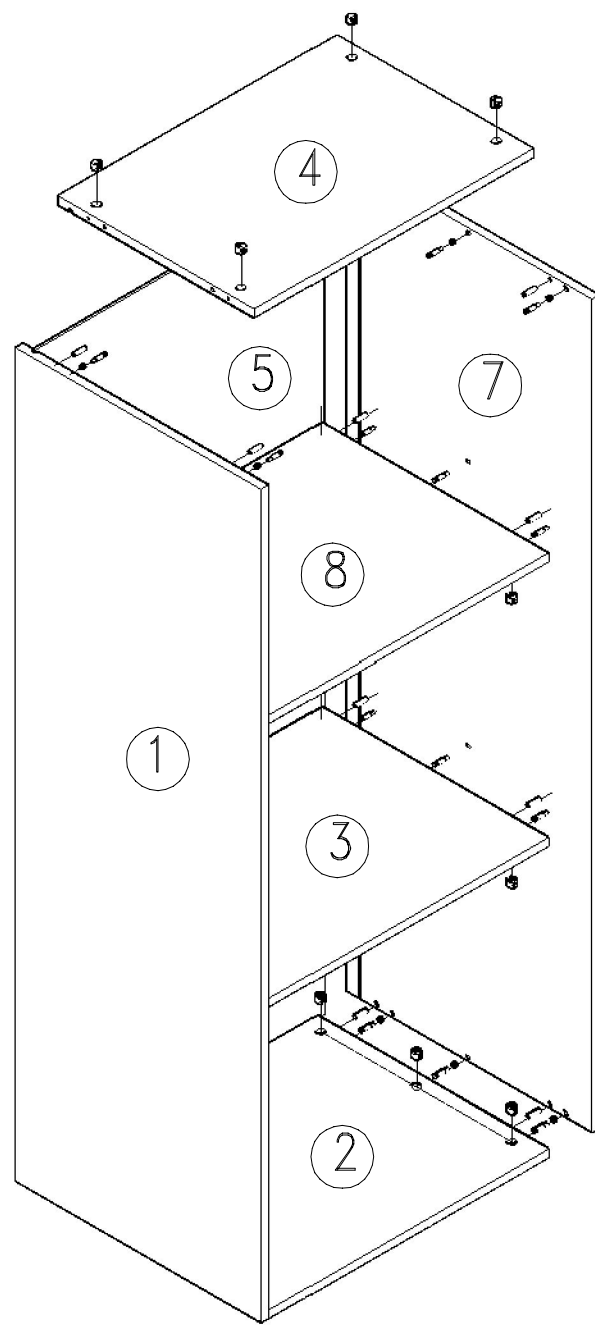
⑤ Side board(right): 1 piece ⑥ Shelf: 1 piece ⑦ fitting: 8 piece ⑧ fitting: 8 piece ⑨ fitting: 8 piece ⑩ fitting: 4 sets



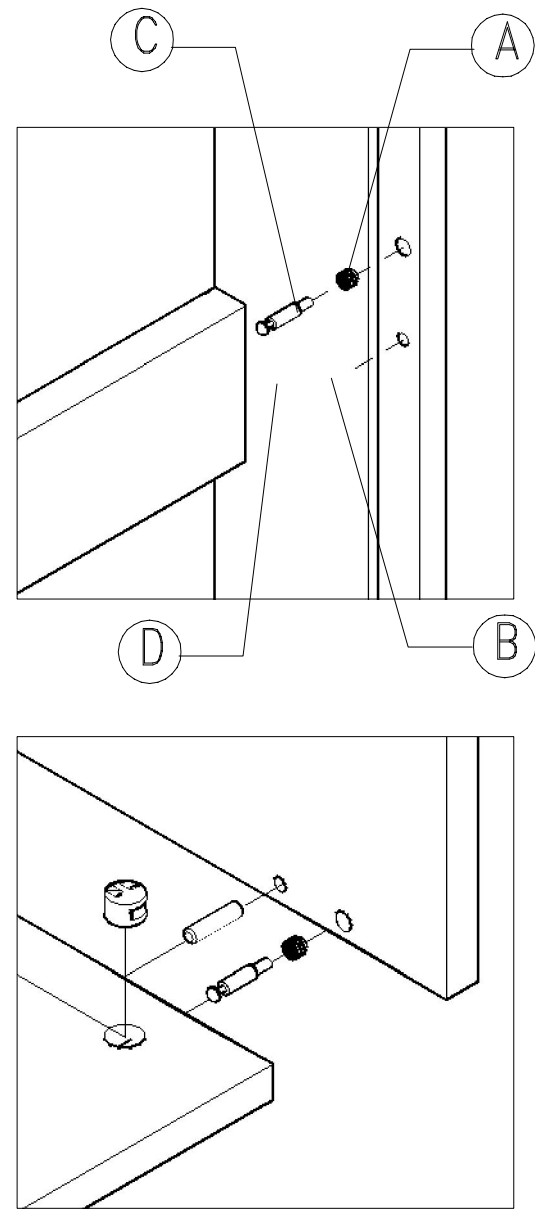
Finished product



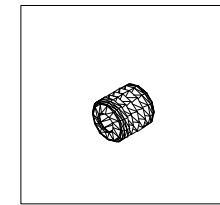
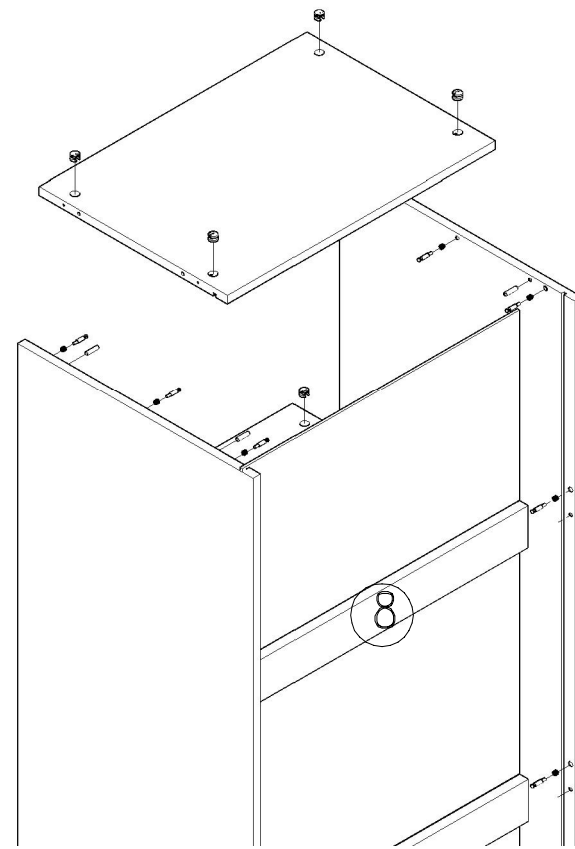
INSTALLATION STEP



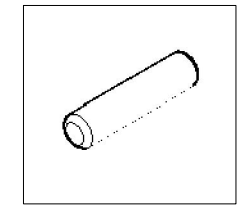
Front



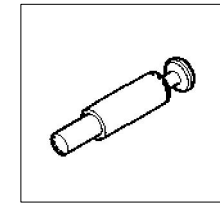
TALL CABINET INSTALLATION Back



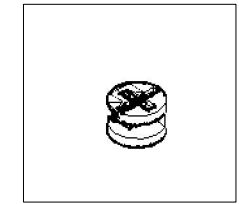
Ⓐ Fitting: 26 piece



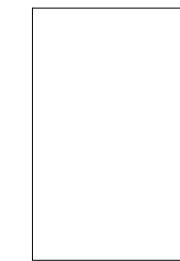
Ⓑ Fitting: 12 piece



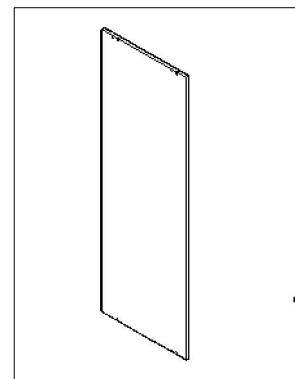
Ⓒ Fitting: 26 piece



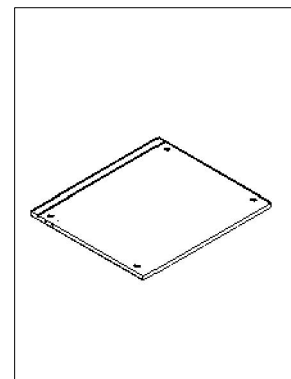
Ⓓ Fitting: 26 piece



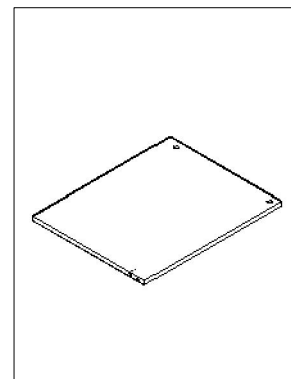
Ⓔ Fitting: 12 sets



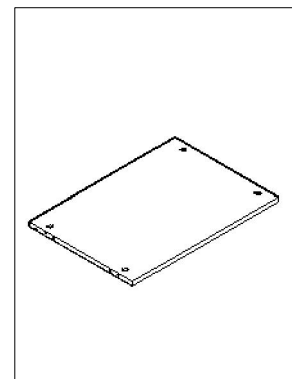
① Side board(left): 1 piece



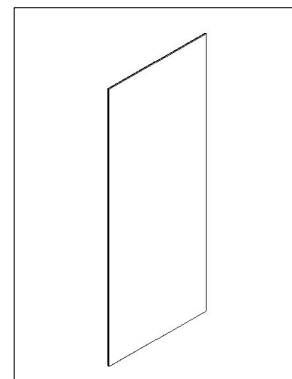
② Bottom board: 1 piece



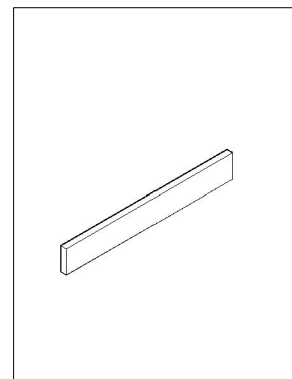
③ shelf: 1 piece



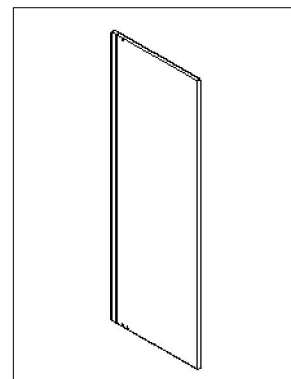
④ Top board: 1 piece



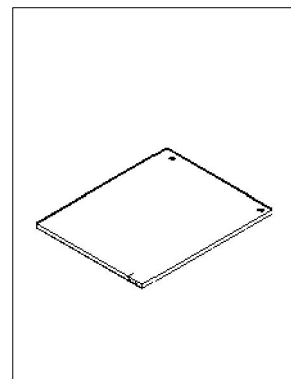
⑤ Back board: 1 piece



⑥ back trim board: 1 piece



⑦ Side board(right): 1 piece



⑧ shelf: 1 piece